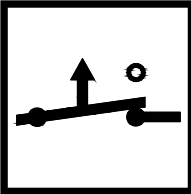
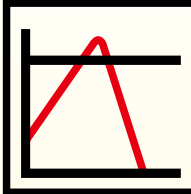
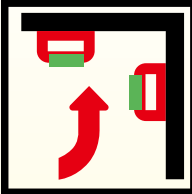

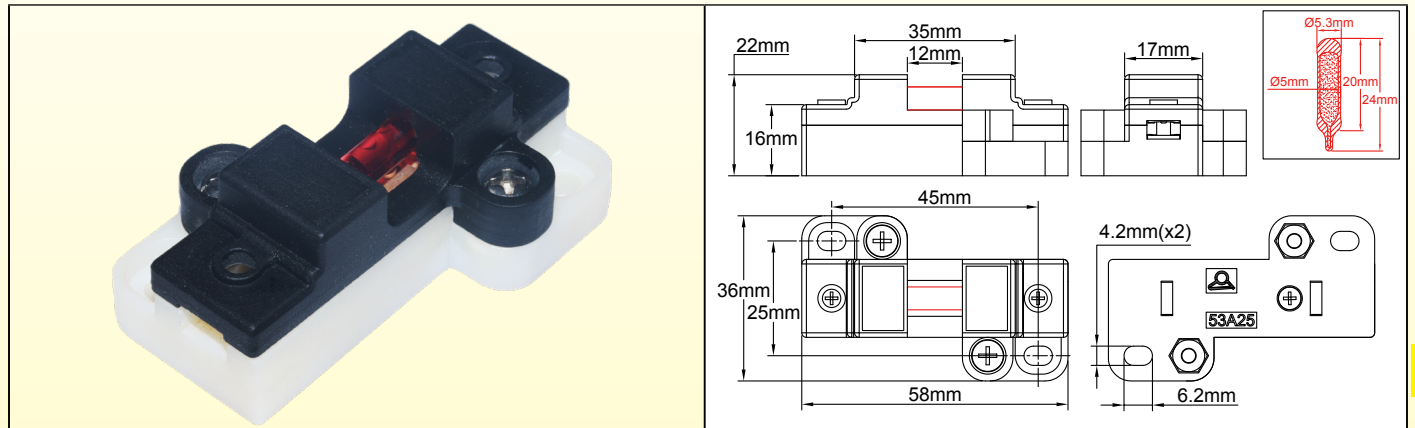


Miniature electric fire detection switches with thermal glass bulb

Open on temperature rise 	Rating 16A 250V 10A 400V 4A 24V DC	Manual reset 	Wall or ceiling mounting 		Model 53A25
--	---	---	---	--	-----------------------



Applications

Simple device for fire detection in buildings. This device is operating electrical contacts for remote alarm and simultaneous control of electrical servo-controls such as electric cylinders, electric motors or solenoids, for opening or closing air conditioning dampers, doors, sunroofs, and openings in building facades.

Main Features

Thermal sensitive part: Thermal bulb.

Operation: The break of the bulb operates an electric switch.

Mounting: Body with 2 holes for mounting on the wall or ceiling.

Electrical contact: Opening when the bulb breaks.

Rating: 16A (4A) 250V alt.; 10A (1A) 400V alt.; 4A (100mA) 24 and 48VDC. Compatible with 24V and 48V, 500 N electro-magnet.

Selection of gold-plated silver contact avoids oxidation, and allows use on low level electronic circuits.

NB: use on circuits with a voltage greater than 12V and at more than 1A may vaporize the protective gold layer.

Body: 17 x 58 x 22 mm ceramic, with UV-resistant black PA66 cover,

- Flammability: UL94V0 and GWFI 960°C.

- Deformation temperature under load: 225°C. (ISO 75-2, 1.8 MPa).

- Room temperature class T200°C.

Electrical connection: Screw terminals for wires up to 2.5mm².

Maintenance: The replacement of the 5x20mm thermal bulb is possible after unscrewing the PA66 cover

Options: Customization and customer labelling, plastic cover in red or cream color

Main references

Operating temperature	References with silver contact	References with gold plated silver contact
Without thermal bulb	53A25PS000	53A25PG000
57°C (135°F), orange color bulb	53A25PS057	53A25PG057
68°C (155°F) red color bulb	53A25PS068	53A25PG068
79°C (174°F) yellow color bulb	53A25PS079	53A25PG079
93°C (199°F) green color bulb	53A25PS093	53A25PG093
141°C (286°F) blue color bulb	53A25PS141	53A25PG141
182°C (360°F) purple color bulb	53A25PS182	53A25PG182

Because of permanent improvement of our products, drawings, descriptions, features used on these data sheets are for guidance only and can be modified without prior advice

